

COMPRESSOR DUTY MOTOR

TECO AUSTRALIA PTY LTD has been acknowledged for many years as a supplier of high quality efficient and reliable electric motors to industry.

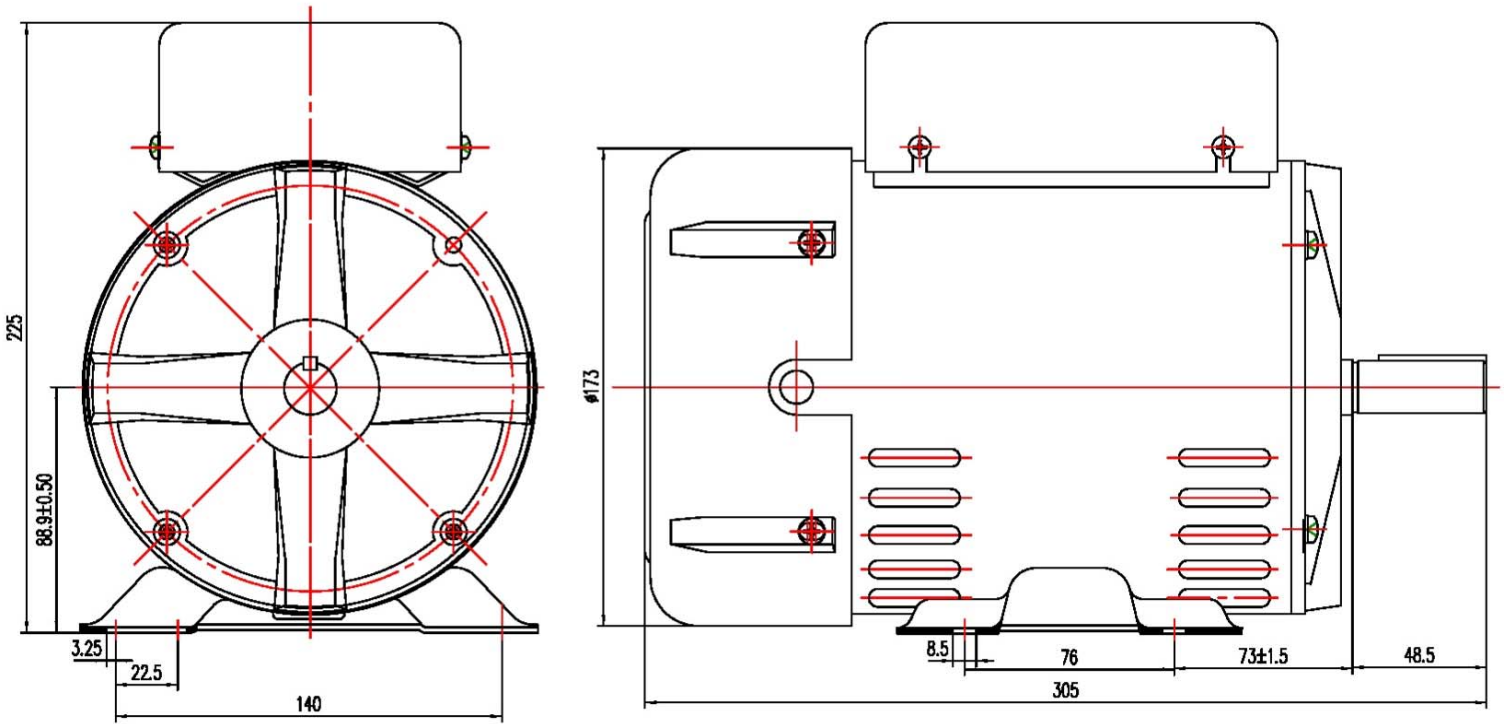
The COMPRESSOR DUTY motor has been produced to raise the market standard in quality and performance. All motors are manufactured to current AUSTRALIAN electrical and mechanical standards and are subject to stringent quality controls which ensure the user of a high degree of reliability, backed by a full 12 month warranty.



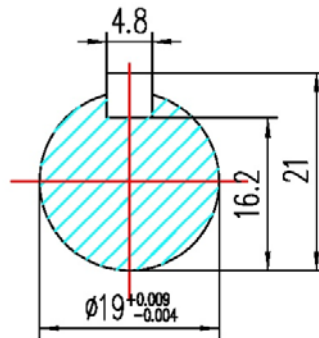
FEATURES:-

- Heavy duty rolled steel shell frame
- Drip proof fan cooled IP22
- Dynamically balanced rotor
- Heavy duty bearings
- Bi-directional rotation
- Pressed metal fan cover
- Pressed metal capacitor cover
- Excellent protective paint finish
- Able to withstand temporary voltage drop when starting
- Pre wired with three core flex for connection to the compressor air switch and a separate supply lead with 3 pin plug.
- Two models available -
 - 1) Capacitor start capacitor run
 - 2) PSC (Permanent split capacitor, for compressors with unloaded starting)
- Two outputs ratings for both models -
 - 1.65 kW
 - 2.2 kW
- 2 pole 2850 RPM
- B56 frame foot mounted
- Low full load currents
- Thermal overload protection
- High quality capacitors
- Single phase 240 Volt 50 Hz

OUTLINE DIMENSIONS



SHAFT DETAIL





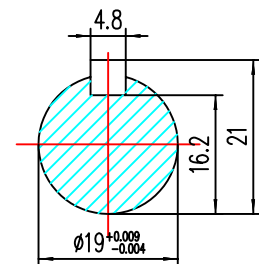
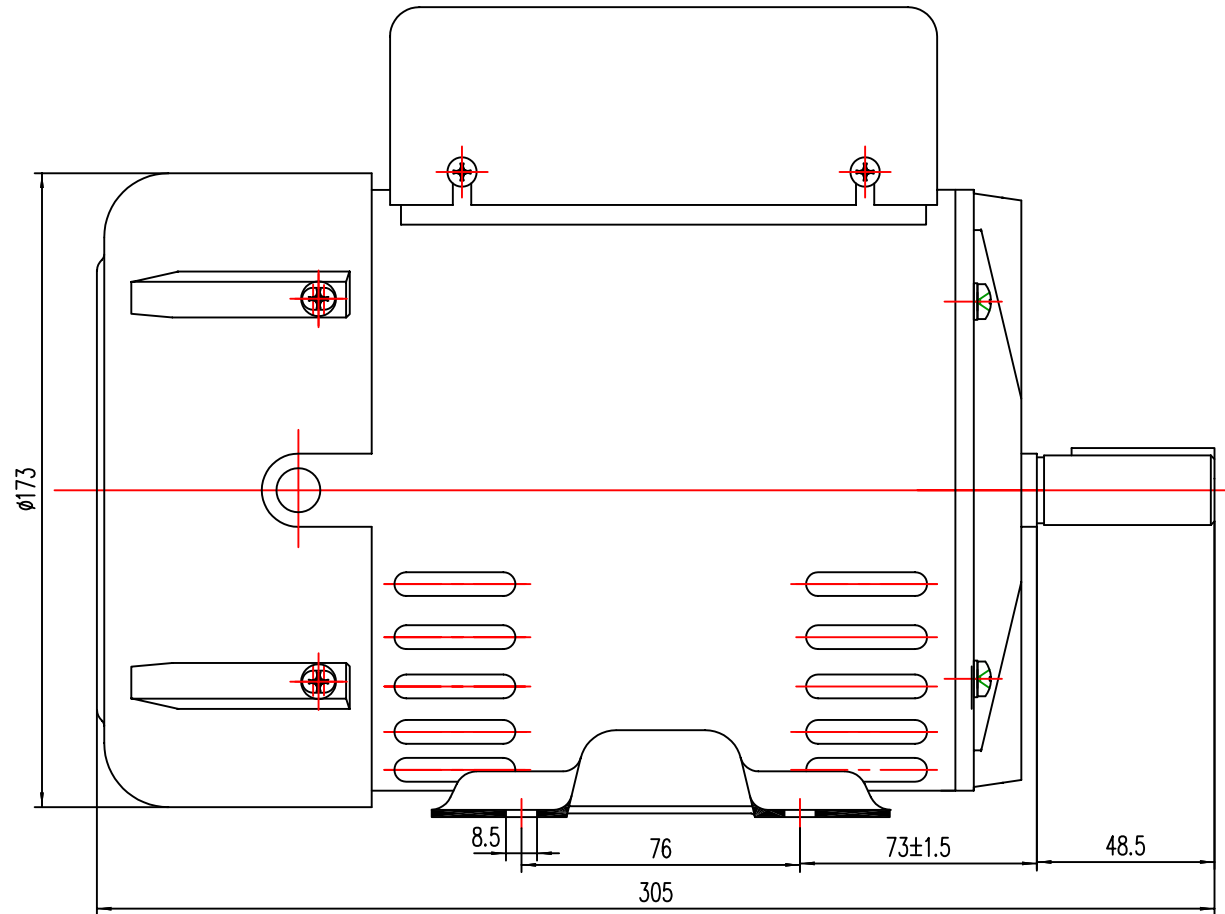
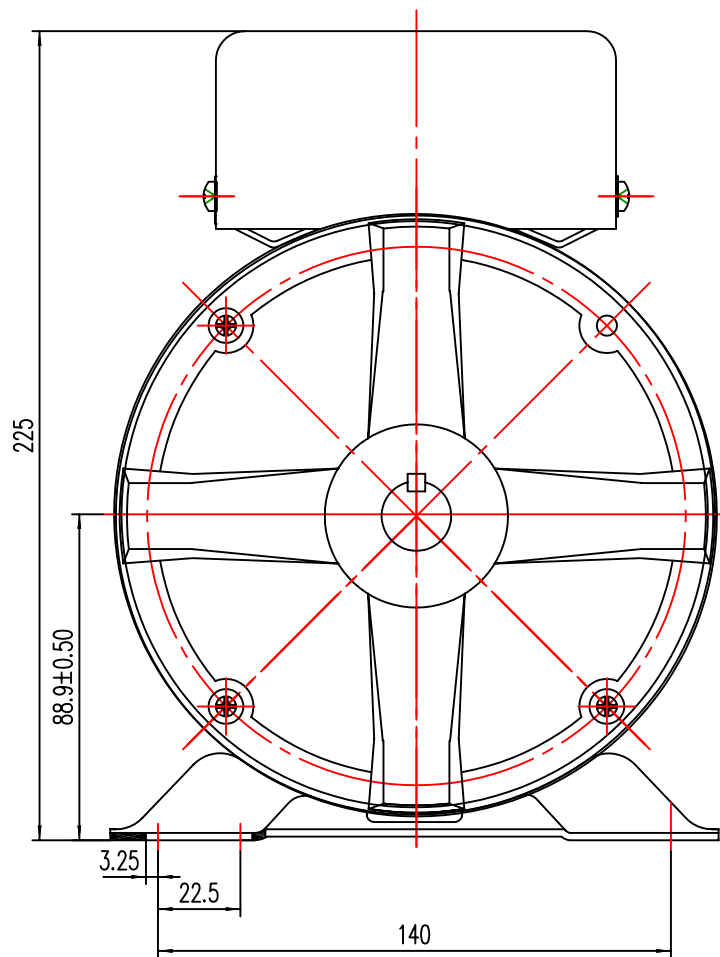
TAC COMPRESSOR MOTORS



TECO Australia Pty Ltd

Performance Data

Detail	Output kW			
	1.65 kW	1.65 kW	2.2 kW	2.4 kW
Run Capacitor	30 uF	30 uF	40 uF	45 uF
Start Capacitor	200-240 uF	100 uF	200-240 uF	200-240 uF
No Load Current (Amps)	2.6	3.15	3.81	3.24
No Load Input Power (Watts)	411.6	413.4	520.8	439.2
Locked Rotor Current (Amps)	54.13	45.8	62.56	65.6
Locked Rotor Current / Rated Current %	592%	509%	510%	524%
Full Load Torque Nm	5.6	5.6	7.57	8.13
Locked Rotor Torque Nm	16.8	11.4	23	20.2
Locked Rotor Torque / Full Load Torque %	300%	204%	304%	248%
Maximum Torque / Full Load Torque %	189%	218%	194%	208%
Minimum Torque / Full Load Torque %	132%	211%	193%	248%
Full Load Current (Amps)	9.14	9	12.26	12.52
Full Load Input Power (Watts)	2,133	2,106	2,874	2,957
Full Load Output Power (Watts)	1,650	1,650	2,200	2,800
Full Load Speed (RPM)	2,816	2,847	2,777	2,820
Full Load Power Factor %	97.2%	97.3%	97.7%	98.3%
Full Load Efficiency %	77.4%	78.4%	76.5%	81.1%



TYPE	KW	pole	Time Rating	Voltage V	Hz	Syn.Speed R.P.M
CSCR90S	1.65	2	cont	240	50	3000
CSCR90L	2.2	2	cont	240	50	3000

TECO AUSTRALIA PTY LTD
TAC SINGLE PHASE COMPRESSOR MOTORS

Date:01.10.09

1.65MS2 & 2.2MS2 Rev 00